

Technical Information

No. FO 4785

Edition: 10/98 - subject to change

Substitutes: -/-

Status: valid

Mercury Short Arc Lamp

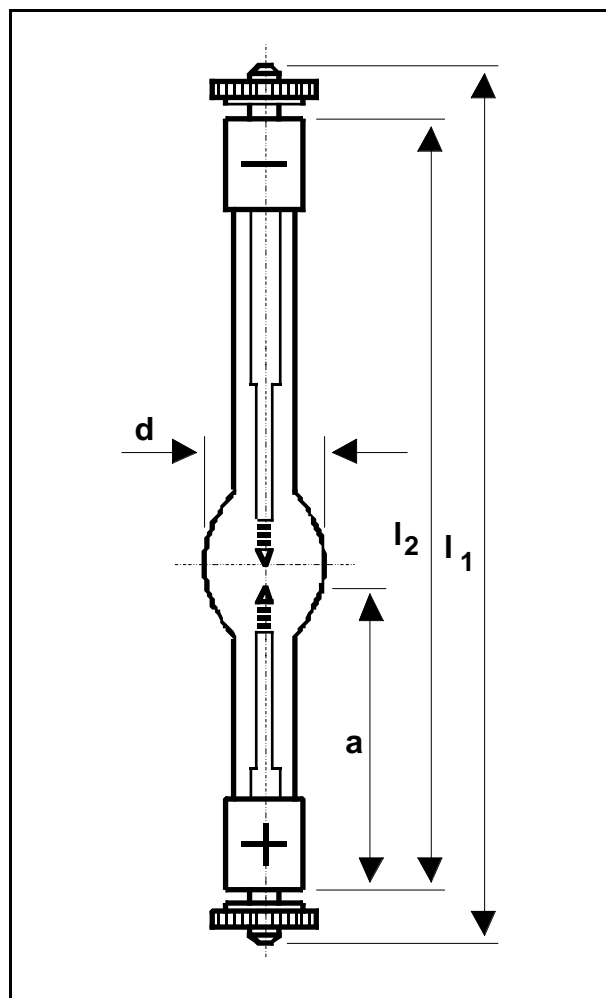
HBO[®] 200 W/DC

n Product description

The OSRAM HBO[®] 200 W/DC is a mercury short arc lamp especially designed for DC operation. The lamp is characterized by - with 1000 h - a high service life. The HBO[®] 200 W/DC is mainly used for microlithography with K. Suss equipment (MJB3) and for technical applications such as fluorescence microscopy and endoscopy .

n Technical data

Order reference	HBO [®] 200 W/DC	
Rated lamp wattage	W	200
Rated lamp voltage	V	57
Rated lamp current (=)	A	3,5
Ignition voltage (cold)	kV _s	max. 15
Luminous flux	lm	10.000
Luminous efficacy	lm/W	50
Luminous intensity	cd	1.100
Average luminance	cd/cm ²	40.000
Lamp length (overall) l ₁	mm	max. 128
Lamp length l ₂	mm	max. 102
Bulb diameter d	mm	17
LCL a	mm	40
Average service life	h	1.000
Base	SFc 10-4/15	



n Lamp operation

Maximum permissible base temperature °C 230

Cooling Convection

Burning position vertical ± 15°, s 15; anode (+) underneath

The HBO[®] 200 W/DC can either be operated on standard ballasts or on electronic power supplies (ECG).

n Recommended operating and control devices

Ignitors: available on request

Ballasts: available on request

ECGs: available on request