



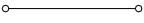






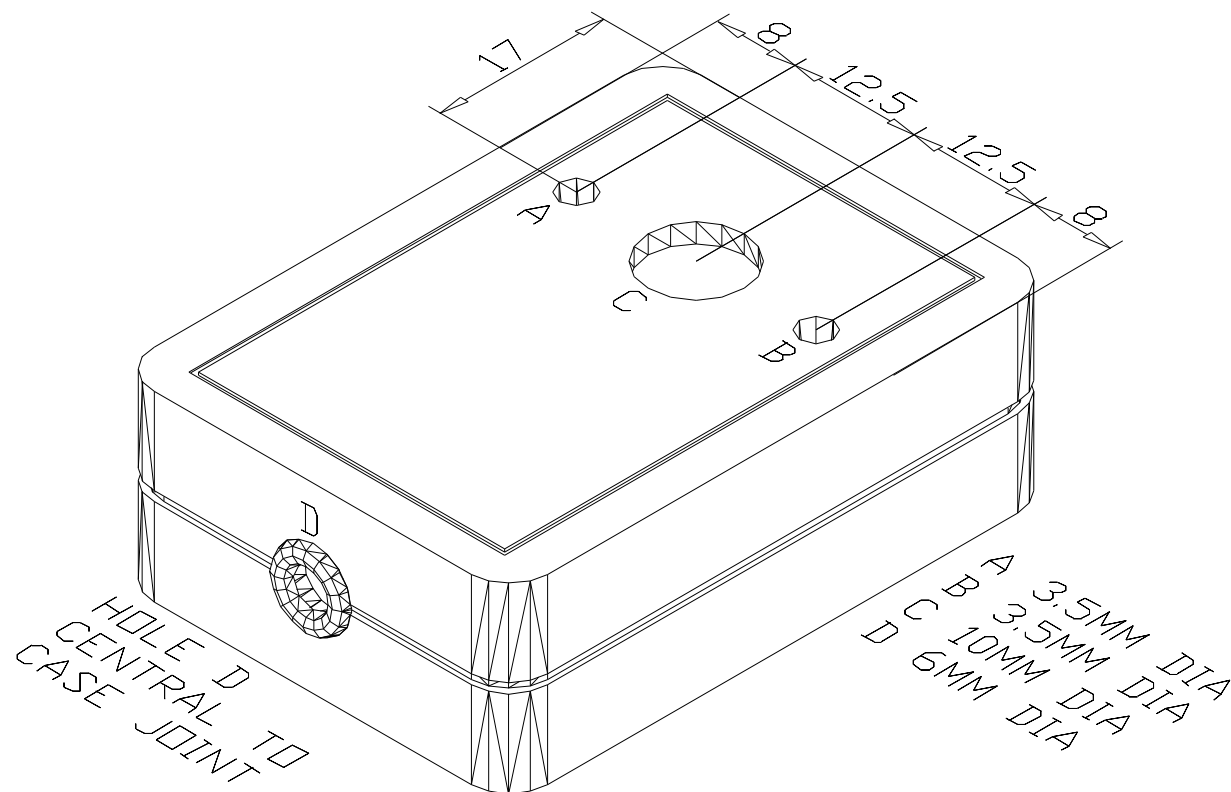
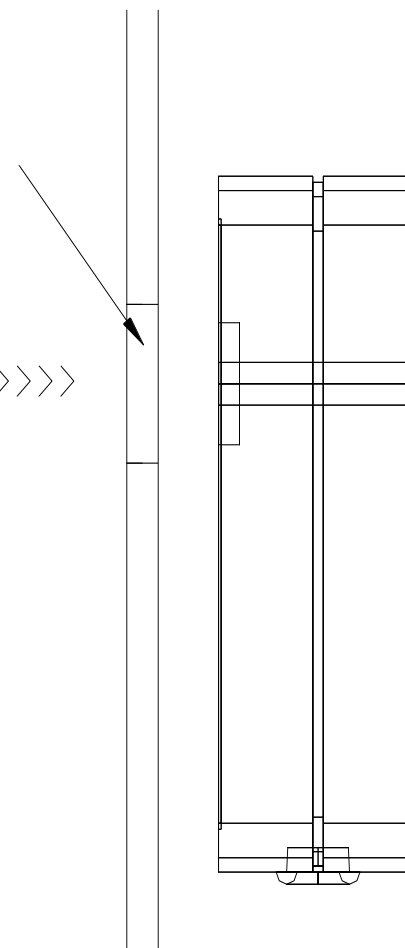


Connections	Wire colour	Relay contacts		
		Illuminated	Non illuminated	No power
	Screen unconnected			
 	Red +24V Blue 0V <small>Reverse polarity protected</small>			
 	Green Yellow	Open	Closed	Closed
		With 24V DC applied		

DRILL HOLE 13MM
DIA IN BULKHEAD

LIGHT SOURCE >>>>



All dimensions in mm.

CO18 Light Detector Module.
Technical Lamp Supplies Limited

Tel 01753 576888
Fax 01753 575113