

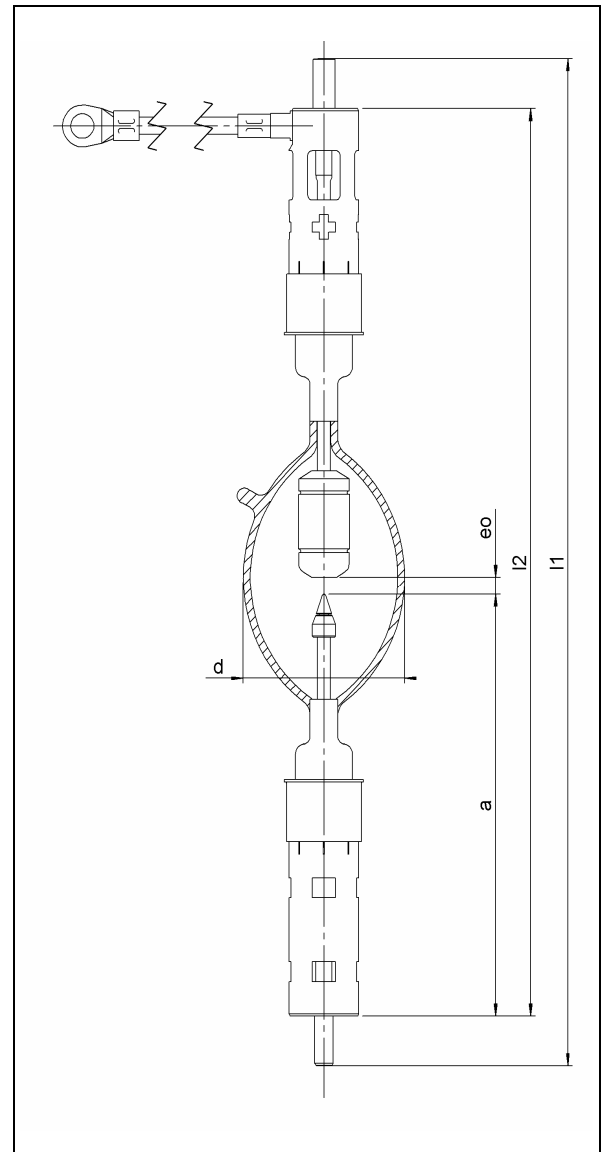
XBO® 6000 W/DHP OFR

■ Product description

The OSRAM XBO® 6000W/DHP OFR. is a DC-operated lamp, which has been developed with the latest high brightness technology for XBO lamps. A new generation of high light output lamps, especially designed for D-Cinema projector application. DHP lamps have a high degree of arc stability and a most superior level of luminance.

■ Technical data

Order reference	XBO® 6000 W/DHP OFR	
Rated lamp wattage	W	6000
Rated lamp voltage	V	35
Rated lamp current (DC)	A	170
Current control range	A	140 - 175
Ignition voltage	kV _P	40
Min. open circuit voltage for cold / hot ignition	V	85 / 110
Luminous flux	lm	280000
Luminous intensity	cd	30000
Average luminance	cd/cm ²	160000
Luminous area w x h *)	mm	1.9 x 6.0
Electrode gap e (cold)	mm	7.0
Lamp length (overall) l ₁	mm	max. 433
Lamp length l ₂	mm	max. 393
LCL a	mm	170,5
Bulb diameter d	mm	70
Average service life **)	h	1000
Warranty	h	600
Base	Cathode:	SFa 30-7,9
	Anode:	SFa X 30-9,5



*) w = luminance half width value; h = height of luminance area (corresponds to electrode gap, hot)

**) Using electronic rectifier with low current ripple

■ Lamp operation

Maximum permissible base temperature	230°C
Cooling	forced cooling / fan
Min. air flow velocity around discharge vessel	6 m/s
Magnetic arc stabilization	necessary for horizontal operation
Burning position	s 15 (vertical ± 15°; anode up) ; p 15 (horizontal ± 15°)