

Technical Information

No. 5550

Edition: 01/07

Status: New

Preliminary: Subject to change

Xenon Short Arc Lamp

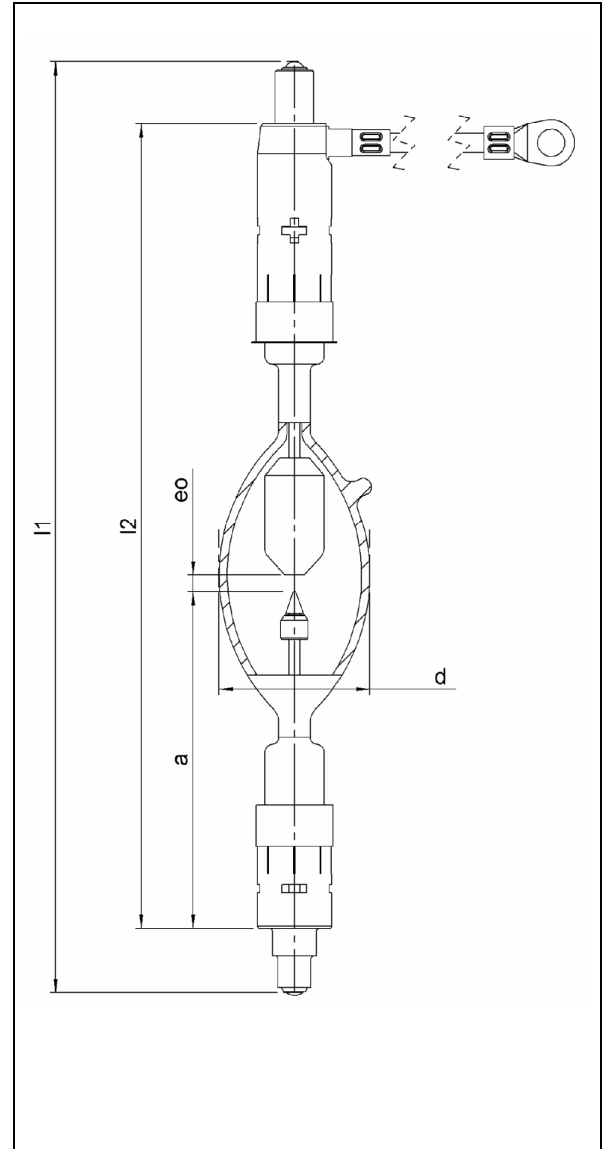
XBO[®] 4000 W/DHP OFR

■ Product description

The OSRAM XBO[®] 4000W/DHP OFR is a DC-operated lamp, developed with the latest high brightness technology for XBO lamps. A generation especially designed for D-Cinema projector application. The DHP lamp is therefore; a high performance lamp with excellent arc stability and superior level of luminance.

■ Technical data

| | | | |
|---|---------------------------------|----|----------------|
| Order reference | XBO [®] 4000 W/DHP OFR | | |
| Rated lamp wattage | W | | 4000 |
| Rated lamp voltage | V | | 33 |
| Rated lamp current (= *) | A | | 120 |
| Current control range | A | | 100 - 130 |
| Ignition voltage | kV _p | | 40 |
| Min. open circuit voltage for cold / hot ignition | V | | 100 / 120 |
| Luminous flux | lm | | 160.000 |
| Luminous intensity | cd | | 19.000 |
| Average luminance | cd/cm ² | | 160.000 |
| Luminous area w x h **) | mm | | 1.9 x 5.0 |
| Electrode gap e (cold) | mm | | 6,0 |
| Lamp length (overall) l ₁ | mm | | max. 345 |
| Lamp length l ₂ | mm | | max. 295 |
| LCL | a | mm | 123 |
| Bulb diameter | d | mm | 55 |
| Warranty | h | | 700 |
| Base | Cathode: | | SFc 27-16/45 |
| Anode side cable 130mm | Anode: | | SFa X 27-14x80 |



*) Using electronic rectifier with low current ripple.

**) w = luminance half width value; h = height of luminance area (corresponds to electrode gap, hot)

■ Lamp operation

| | |
|--|--|
| Maximum permissible base temperature | 230°C |
| Cooling | forced cooling / fan |
| Min. air flow velocity around discharge vessel | 7 m/s |
| Magnetic arc stabilization | necessary for horizontal operation |
| Burning position | s 15 (vertical ± 15°; anode up); p 15 (horizontal ± 15°) |