

Technical Information

No. 5467

Edition: 01/06 - subject to change

Substitutes: new

Status: valid

Xenon Short Arc Lamp

XBO® 3000 W/DTP OFR

■ Product description

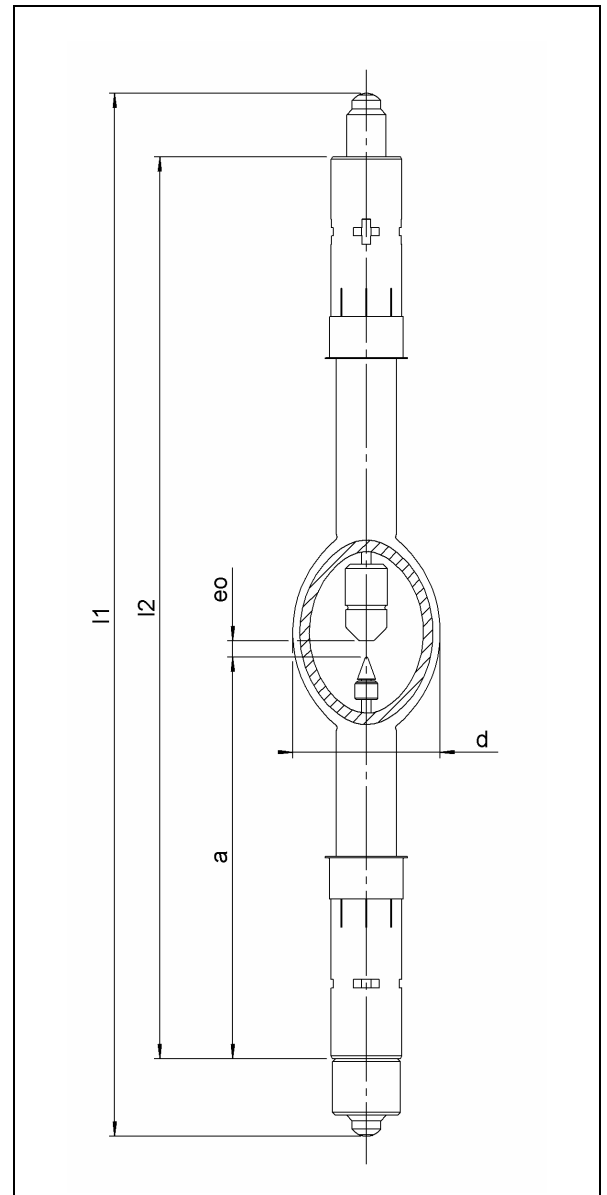
The OSRAM XBO® 3000 W/DTP OFR. DTP stands for Digital Threaded Pin. Produced with the latest high brightness XBO technology. A new generation of high light output lamps specially developed for applications requiring excellent arc stability and maximum efficiency of its luminance.

■ Technical data

| | | |
|---|--------------------|---------------------|
| Order reference | | XBO® 3000 W/DTP OFR |
| Rated lamp wattage | W | 3000 |
| Rated lamp voltage | V | 27 |
| Rated lamp current (=) | A | 110 |
| Current control range | A | 60 - 120 |
| Ignition voltage | kV _s | 33 |
| Min. open circuit voltage for cold / hot ignition | V | 85 / 110 |
| Luminous flux | lm | 130000 |
| Luminous intensity | cd | 12000 |
| Average luminance | cd/cm ² | 105000 |
| Luminous area w x h *) | mm | 1.7 x 4.0 |
| Electrode gap e (cold) | mm | 5.0 |
| Lamp length (overall) L ₁ | mm | max. 403 |
| Lamp length L ₂ | mm | max. 352 |
| LCL a | mm | 160 |
| Bulb diameter d | mm | 60 |
| Average service life | h | 2000 |
| Warranty | h | 1500 |

Base
Cathode: SFa 27-14
Anode: SFc 27-14

*) w = luminance half width value; h = height of luminance area (corresponds to electrode gap, hot)



■ Lamp operation

| | | |
|--|-----|---|
| Maximum permissible base temperature | °C | 230 |
| Cooling | | forced cooling / fan |
| Min. air flow velocity around discharge vessel | m/s | 6 |
| Magnetic arc stabilization | | Necessary for horizontal operation |
| Burning position | | s 30 (vertical ± 30°; anode up) ; p 30 (horizontal ± 30°) |