

Technical Information

No. FO 4171

Edition: 01/04- subject to change

Substitutes: Edition 06/01

Status: valid

Xenon Short Arc Lamp

XBO[®] 1000 W/HSC OFR

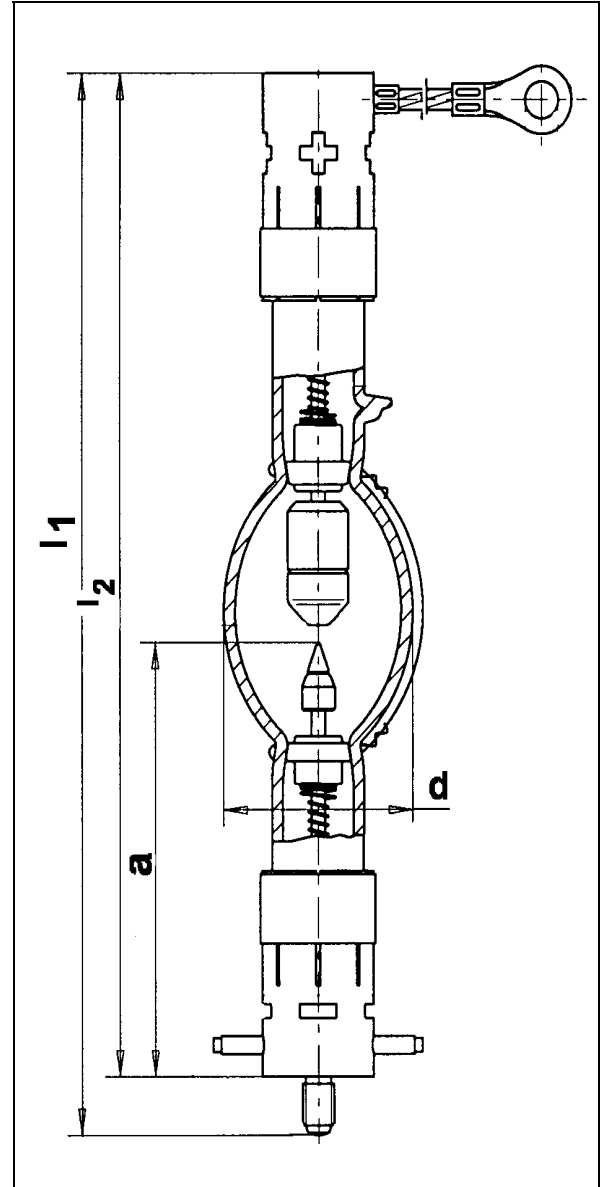
■ Product description

The OSRAM XBO[®] 1000 W/HSC OFR is a DC -operated lamp that is especially suited for applications requiring excellent arc stability and high luminance. The OSRAM XBO[®] 1000 W/HSC OFR is designed for horizontal burning position (H = horizontal, S = short, C = cable).

■ Technical data

Order reference	XBO [®] 1000 W/HSC OFR	
Rated lamp wattage	W	1,000
Rated lamp voltage	V	19
Rated lamp current (=)	A	50
Current control range	A	30 - 55
Ignition voltage	kV _P	30
Min. open circuit voltage for cold / hot ignition	V	65 / 75
Luminous flux	lm	32,000
Luminous intensity	cd	3,000
Average luminance	cd/cm ²	60,000
Luminous area w x h *)	mm	1.1 x 2.8
Electrode gap e (cold)	mm	3.6
Lamp length (overall) l ₁	mm	max. 236
Lamp length l ₂	mm	max. 222
LCL a	mm	95
Bulb diameter d	mm	40
Average service life	h	2,000
Base	Cathode	SFcX 27-8
	Anode	SK 27/50

*) w = luminance half width value; h = height of luminous area (corresponds to electrode gap, hot)



■ Lamp operation

Maximum permissible base temperature	230 °C
Cooling	forced cooling / fan
Min. air flow velocity around discharge vessel	5 m/s
Burning position	s 20 (vertical ± 20°; anode up); p 20 (horizontal ± 20°)